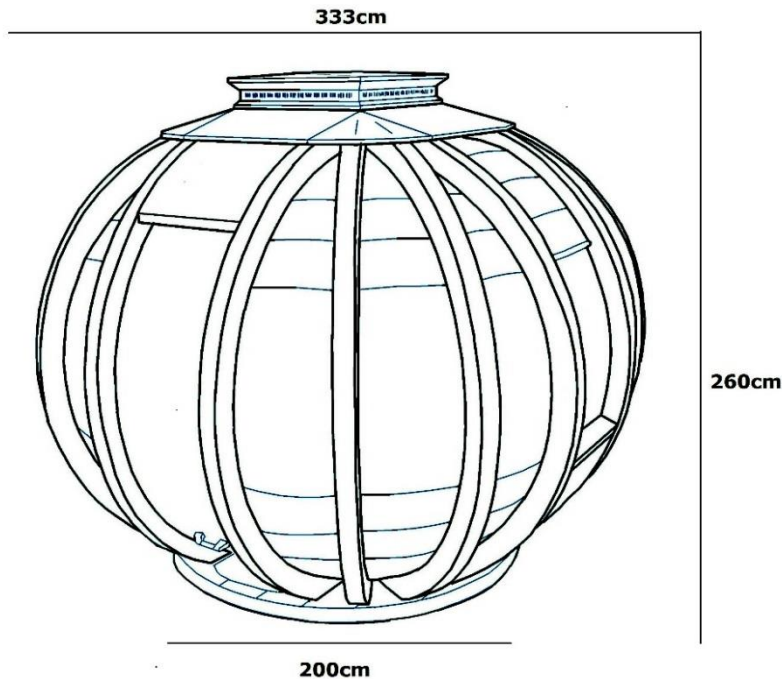


Deluxe Hardstanding



The Deluxe will require a hardstanding base no less than 200cm diameter

This can be made from concrete or a hardcore and traditional patio style base.

If you already have a level patio area of slab or decking the Deluxe can be installed directly onto this.

Allow an area 310cm x310cm square for the overall building size

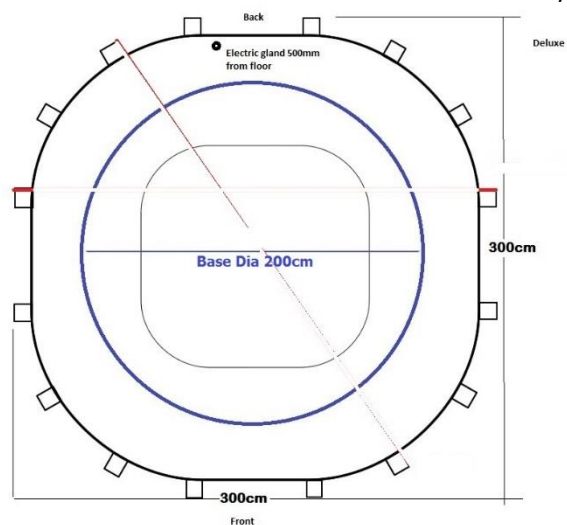
Electrical Installation

WARNING: Any electrical installation should be carried out by a qualified electrician.

The Deluxe is fitted with a consumer unit which can be located in the back of the cupboard in rear of your building. The power will need to enter the building through a compression gland fitted approximately 50cm high in the middle of the back panel of the building. The power supply will come with both male and female 32A connection sockets ready for your cable to be fitted.

Included

- 13amp Power Socket
- 2.4Kw Blow Heater
- 12v down lighting
- 12v colour changing lighting
- 12v Bluetooth sound bar



ORNATE GARDEN

Part of Farmers Cottage Lamps Ltd v.a.t. reg 585 3858 87

Registered Office: Castle Lane Maxstoke, Coleshill, Birmingham, B46 2RA Registration No.3527716

Telephone 01675 464705 Fax 01675 462857 sales@ornategarden.com www.ornategarden.com