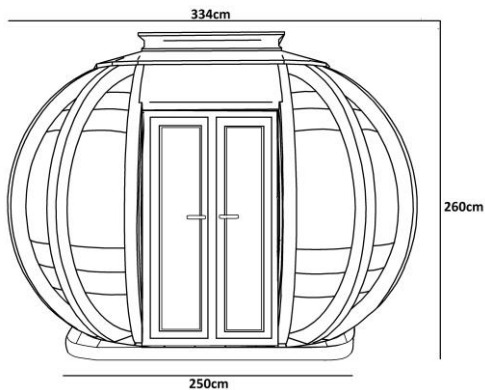


Grande Deluxe Chic Hardstanding



The Grande Deluxe will require a hardstanding base no less than 250cm wide by 270cm deep

This can be made from concrete or a hardcore and traditional patio style base.

If laying a base on the lawn it is advised to go larger than the dimensions to make it easier to mow around the building.

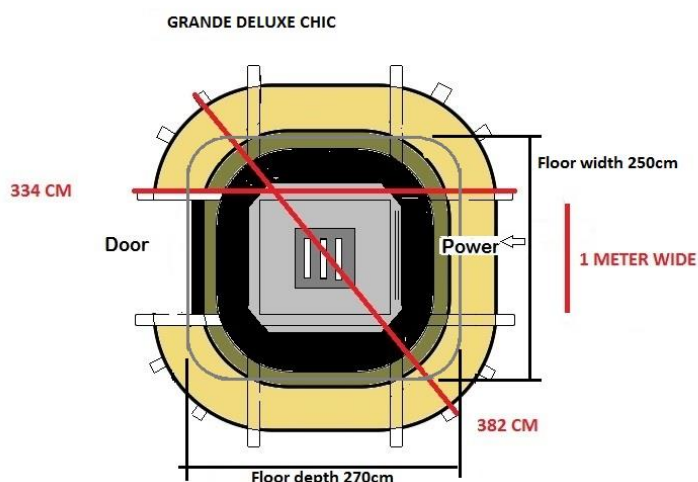
If you already have a level patio area of slab or decking the Deluxe can be installed directly onto this.

Allow an area 340cm x340cm square for the overall building size

Electrical Installation

WARNING: Any electrical installation should be carried out by a qualified electrician.

The Grande deluxe is fitted with a consumer unit which can be located in the back of the cupboard in rear of your building. The power will need to enter the building through a compression gland fitted approximately 50cm high in the middle of the back panel of the building. The power supply will come with both male and female 32A connection sockets ready for your cable to be fitted.



**260CM IN TOTAL
HEIGHT INCL. HOOD**

Included

- 13amp Power Socket
- 2.4Kw Blow Heater
- 12v down lighting
- 12v Colour changing led lights
- 12v Bluetooth sound bar

ORNATE GARDEN

Part of Farmers Cottage Lamps Ltd reg 585 3858 87
 Castle Lane Maxstoke, Coleshill, Birmingham, B46 2RA Registration No.3527716
 Telephone 01675 464705 sales@ornategarden.com www.ornategarden.com