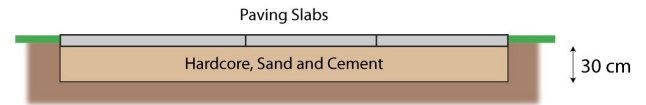
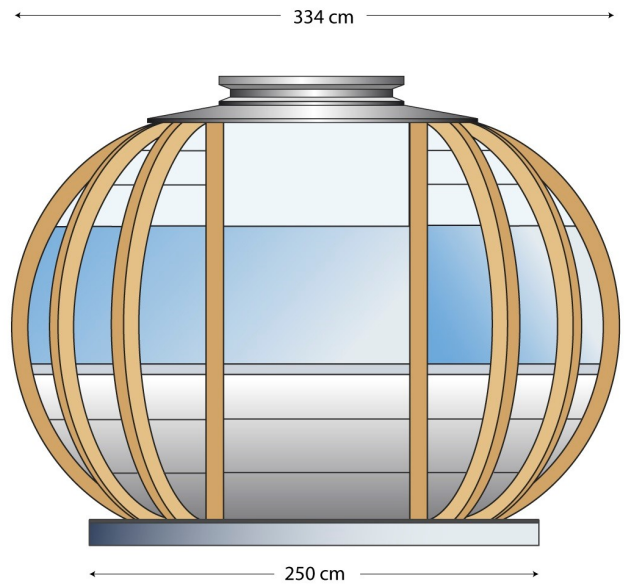
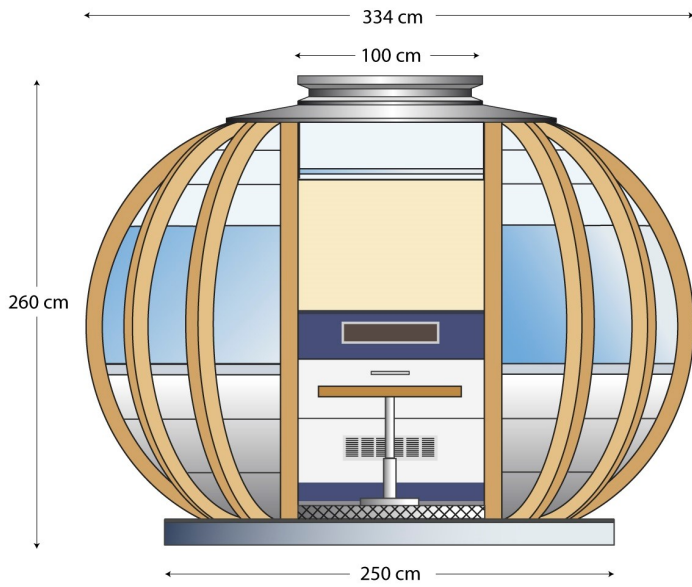
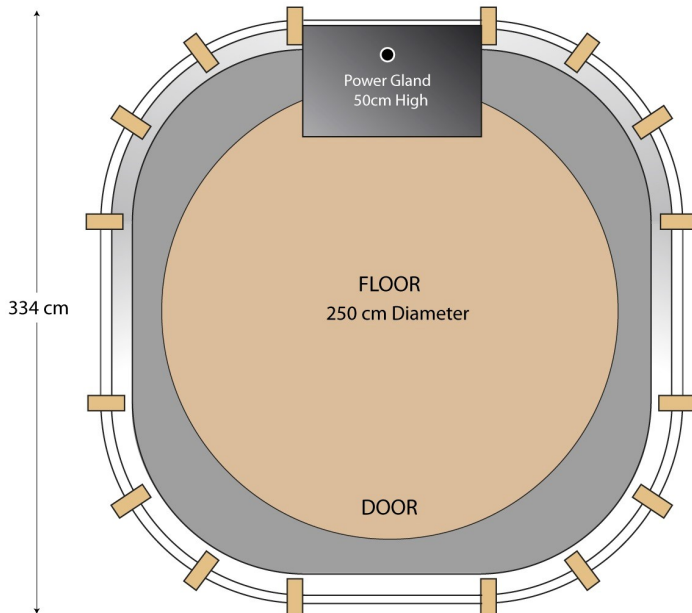
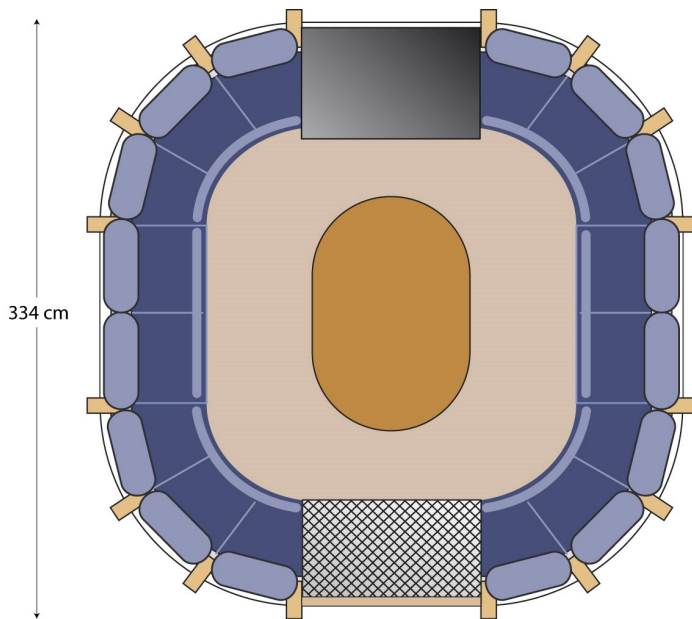


PODGDL-0001 Grande Deluxe Summerhouse Hardstanding



GRANDE DELUXE SPECIFICATIONS



PODGDL-0001 Grande Deluxe Summerhouse Hardstanding

The Grande Deluxe Summerhouse will require a hardstanding base no less than 250cm diameter circle, although a paved area the size of the building looks much better.

This can be made from concrete or a hardcore and traditional patio style base.

If laying a base on the lawn it is advised to go larger than the floor dimensions to make it easier to mow around the building, using a 30cm bed of hardcore, sand and cement. If you already have a level patio area of slab or decking the Pod can be installed directly onto this.

Allow an area 350cm x 350cm square for the overall building size

Electrical Installation

WARNING: Any electrical installation should be carried out by a qualified electrician.

The Grande Deluxe Summerhouse is fitted with a consumer unit which is located in the back of the cupboard in the rear of your building. The power will need to enter the building through a compression gland fitted approximately 50cm high in the middle of the back panel of the building. The power supply will come with both male and female 32A connection sockets ready for your cable to be connected.

- Included
- 13amp Power Socket
 - 2.4Kw Blow Heater
 - 12v down lighting
 - 12v Colour changing led lights
 - 24v Bluetooth sound bar