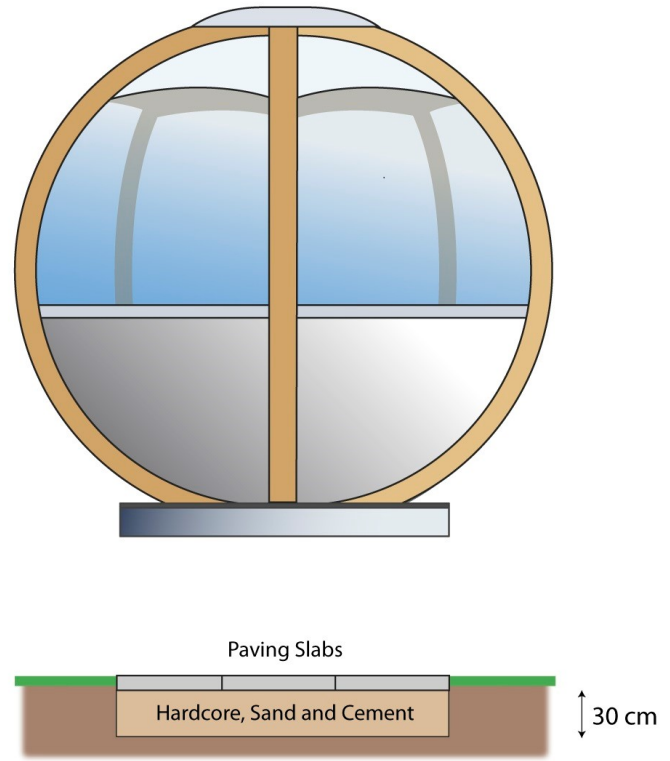
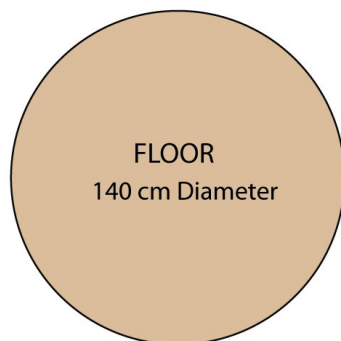
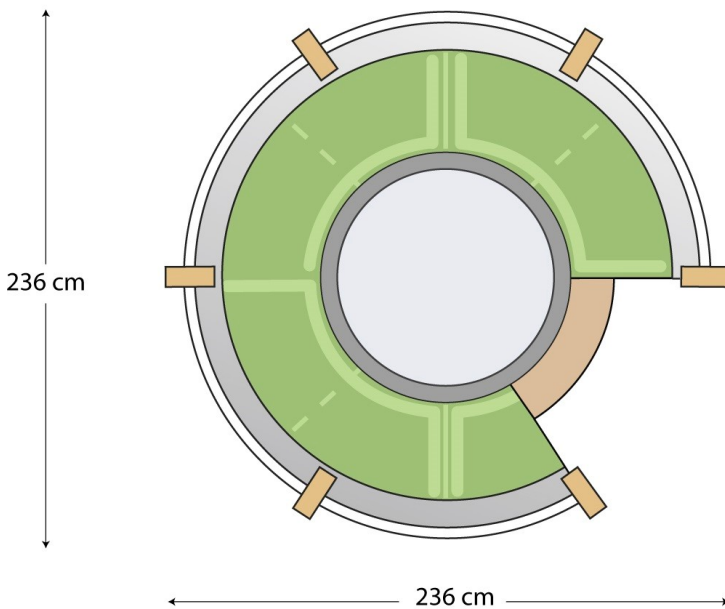
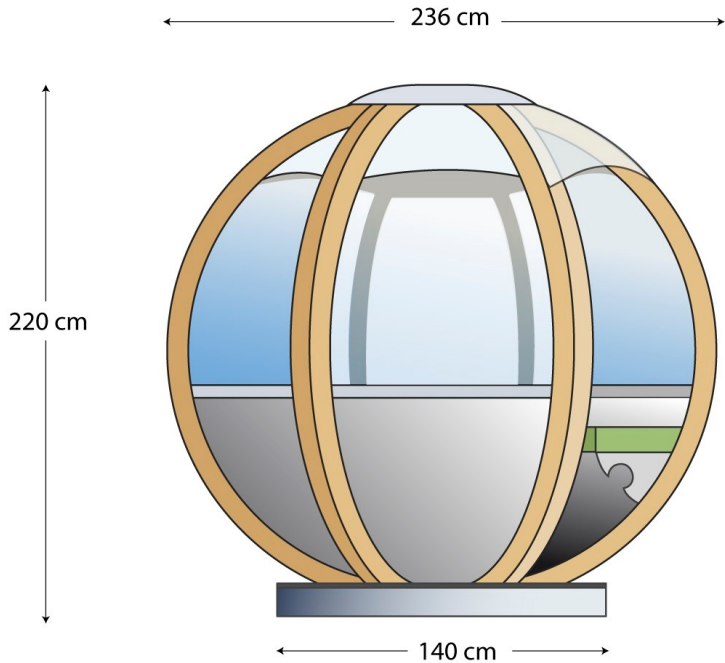


PODRSS-0002 Rotating Seater Hardstanding



ROTATING SEATER SPECIFICATIONS

PODRSS-0002 Rotating Seater Hardstanding

A patio or hardstanding area is an acceptable foundation to mount your pod onto providing it has been laid correctly. It is acceptable if the foundation has a slight fall for rain to run away from and this will not interfere with the installation.

A rough textured stone patio is acceptable to work with. Your pod can be installed onto a decked area providing it has adequate support beams and is of sound construction.

Requirements

- 1) A hard standing base is required to ensure that the sphere is firmly located and will remain this way for many years.
 - a) A circular base is most suitable with a minimum diameter of 140cm.
 - b) A minimum depth of 30cm is required for your base. This should consist of 20cm hard core and 10cm concrete mix when laying a concrete base or 20cm of hard core, 5cm of sand and cement mix and 5cm for paving if laying a paved circle.
 - c) The finished base must be level, ensuring that rain water is able to freely drain away.
- 2) A diameter of at least 250cm. Should be allowed for the pod to rotate, ensuring that nothing can obstruct the way it rotates.

Location suggestions

A paving circle can be purchased from good garden centres or builders merchants. When the paved circle is laid onto hard core and sand and cement as described above, no concrete is required in the centre under the pod.

IMPORTANT

It is recommended where possible, that you seek advice from your local builder when laying your base. (Please refer to the base size for any of our larger sphere buildings)